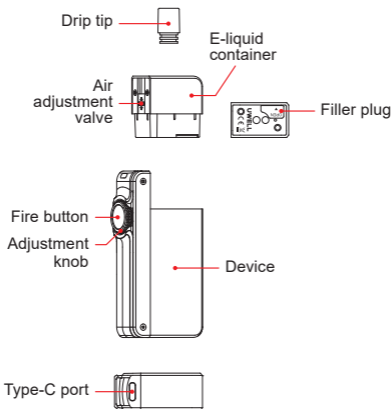




CROWN

CROWN B Pod System  
User Manual

## Illustration



## Quick Guide

1. Take the pod off the device and remove the insulating film from the bottom of the pod.
2. Open the filler plug and fill it with e-liquid, and then put the filler plug back. Let the pod sit for 10 minutes.
3. Install the pod into the device and make sure it is properly installed.
4. Press the fire button 5 times in 2 seconds to turn on the device for vaping.

## Specifications

- Materials: PCTG, Zinc Alloy
- Dimensions: 92 × 42 × 18 mm
- Net Weight: 82 g
- E-liquid Capacity: 3.5 ml
- Output Power Range: 13 W - 35 W
- Battery Capacity: 1150 mAh
- **Pod Specifications:**
  - 0.3 Ω CROWN B Refillable Pod
  - 0.8 Ω CROWN B Refillable Pod (Sold separately)

## The Packaging Includes

- 1 × CROWN B Device
- 1 × 0.3 Ω CROWN B Refillable Pod (DTL) (Pre-installed)
- 1 × 510 Drip Tip (Pre-installed)
- 1 × 510 Drip Tip (Spare)
- 1 × Type-C Charging Cable
- 1 × User Manual

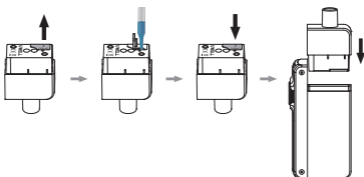
## Features

1. Built-in battery capacity is 1150 mAh. The battery can be fully charged in one hour with fast charging.
2. The pod is refillable for different flavors.
3. Power and airflow are both adjustable.
4. Upgraded UWELL Pro-FOCS technology restores the flavor excellently.
5. Stable, safe, and reliable performance is ensured by a built-in safety mechanism.
6. Simple and fashionable design brings it an attractive appearance. The ergonomic design brings it a comfortable grip.

# Instructions

## 1. Pod filling

- Pull out the filler plug on the bottom of the pod.
- Insert the e-liquid bottle nozzle into the filling port to fill it.
- Put the filler plug back.
- Install the pod into the device.

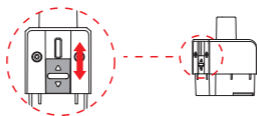


### Attention:

- Insert the nozzle of the e-liquid bottle into the filling port, and then fill the pod with e-liquid.
- Put the filler plug on as soon as the filling is done. Push it back securely to prevent e-liquid leakage.
- Let the pod sit for 10 minutes after the first filling to avoid coil burning.
- Please make a timely refilling when the e-liquid is under MIN level.

## 2. Airflow adjustment

Slide the airflow adjustment valve on the side of the pod up and down to adjust airflow.



### **3. Pod replacement**

- a. Remove the used pod from the device.
- b. Install a new pod into the device.

#### **Attention:**

- a. Please fill in time when the e-liquid is under MIN level.
- b. Please do not discard the 510 drip tip when you replace the pod.

## **Device Operation Instructions**

### **1. Turn on/off**

Press the fire button 5 times continuously and quickly to turn on/off the device. The light flashes 3 times in green to show the power is on.

### **2. Ignition function Lock**

Press the fire button 2 times continuously and quickly, the light will flash in red once, and the ignition function of the fire button will be locked.

Press the fire button 2 times continuously and quickly, the light will flash in green once, and the ignition function of the fire button will be unlocked.

### **3. Vaping**

Vape by button or direct draw when the device is powered on. Do not vape for over 8 seconds each time.

### **4. Power mode introduction**

Press the fire button 3 times continuously and quickly to enter the power adjustment mode, and the light will flash three times as a hint. The device will exit this mode under two conditions: one is drawing or pressing the button to ignite, and another is no option in 10 seconds.

Turn the adjustment knob to choose 3 different power modes through 3 different light colors.

Red light: low-power mode.

Blue light: middle-power mode.

Green light: high-power mode.

## **5. Light indication**

Vaping light indication:

During vaping, a green light indicates the battery level is over 60%, a blue light indicates the battery level is 30%-60%, and a red light indicates the battery level is under 30%. A red light flashes 10 times to indicate the battery level is too low, and the device will stop output.

Light indication of pod removal and installation:

When removing the pod from the device and installing the pod into the device, the light will flash 8 times quickly, and the color of the light will be different according to the battery level.

## **6. Short-circuit protection**

When short-circuit occurs, the light will flash 3 times in red when vaping, and the device will stop output.

## **7. Low voltage protection**

When the device is at low power, the light will flash 10 times in red, and the device will stop output.

## **8. Overtime protection**

The light will flash 5 times in green to indicate an over 8-second vaping, and the device will stop output.

## **9. Open-circuit protection**

When an open-circuit occurs, the light will flash 3 times in blue, and the device gives no output during vaping.

## **10. Charging**

The light flashes when connecting the Type-C cable, a green light indicates the battery level is high, a blue light indicates the battery level is medium, and a red light indicates the battery level is low. The green light will stay on when the charging is done.

## **Attention**

1. Please charge with certified high-quality adaptor from a reputable company and a USB cable with the charging current of 5V/2A.
2. The device and adaptor may warm up when charging, keep away from flammable and explosive goods.
3. Please use a dry and soft cloth to clean the device. Keep away from water or any liquids.
4. Please remove the pod cartridge and store it separately when you are on a plane to avoid leakage due to pressure changes.
5. Please do not put the device in your pocket with other hard objects to avoid damages.
6. Please turn off the device when it is not in use.
7. Please charge the device at least once a month.
8. Don't disassemble the device.
9. Avoid high temperature, low temperature and humidity during use or storage to avoid damage to the equipment.
10. The product parameters or pictures in this manual are for illustration purpose only, please refer to the actual product.

## **Safety Instruction**

Please read the following safety instructions carefully before using the product.

1. This product is only available to people who have reached the legal age of smoking. It is strictly forbidden for young children, pregnant women and women during breastfeeding or for patients with heart disease, high blood pressure, diabetes, depression and asthma.
2. Please put the product out of reach of children and pets to avoid injury.
3. When using this product, please keep away from inflammable and explosive materials to avoid injury.
4. The company does not assume any responsibility for any equipment damage or personal injury caused by user misuse.

## **Warranty Details**

Please keep the anti-counterfeit code and proof of purchase after purchasing the product. The warranty period is 180 days from the date of purchase. Our company provides warranty service (Device and atomizer only, exclude coil head and pod cartridge).

Please note that any of the following conditions are not covered by the warranty:

1. Exceeding the warranty period.
2. Damage caused by the use, maintenance, and storage that is not in accordance with the requirements as instructed.
3. Damage caused by unauthorized repair.
4. Damage caused by the usage of non-UWELL components.
5. Damage caused by force majeure.



## **Verification**

1. Visit the UWELL official website [www.myuwell.com](http://www.myuwell.com) through a smartphone or PC.
2. Please enter the 16 digits authentic code, and the result will be displayed in a few seconds.
3. Please feel free to contact UWELL via e-mail, phone or website for more help.

## **Customer Service**

We pride ourselves on manufacturing quality products and providing excellent customer service. For any issues, please contact us at [service@myuwell.com](mailto:service@myuwell.com).

\* UWELL reserves the right of final interpretation in the user manual.

# UWELL



[www.myuwell.com](http://www.myuwell.com)

Manufactured by SHENZHEN UWELL TECHNOLOGY CO., LTD.

©2023 By SHENZHEN UWELL TECHNOLOGY CO., LTD., All Rights Reserved.  
Designed by UWELL Made in China



Uwelltech



Uwelltech



Uwelltech



Uwelltech



Uwell