

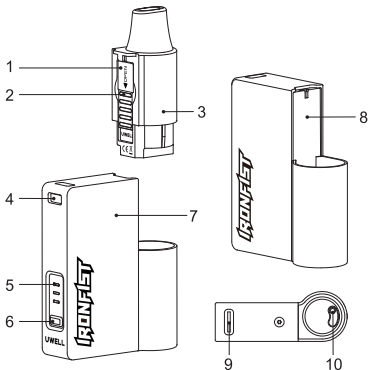
CALIBURN



**IRONFIST**

CALIBURN & IRONFIST L Pod System  
User Manual

# Illustration



- |                            |                               |          |
|----------------------------|-------------------------------|----------|
| 1. Filler Plug             | 2. Lock Slider                | 3. Pod   |
| 4. Lanyard Ring            | 5. LED Indicator              |          |
| 6. Power Adjustment Button | 7. Device                     | 8. Light |
| 9. Type-C Port             | 10. Airflow Adjustment Slider |          |

## Quick Guide

1. Take the pod off the device, pull down the lock slider and hold it. Open the filler plug and fill the e-liquid through the filling port. Put the filler plug back when the filling is done, then release the lock slider to secure it.
2. Let the pod sit for 10 minutes, and then insert the pod into the device.
3. Draw to vape.

## Specifications

- Materials: PCTG, PC, Zinc Alloy
- Dimensions: 46.5 mm × 17.6 mm × 69.8 mm
- Net Weight: 64.8 g
- E-liquid Capacity: 2 ml
- Output Power: Maximum 16 W
- Pod Specifications:
  - CALIBURN & IRONFIST L 0.8 Ω Refillable Pod
  - CALIBURN & IRONFIST L 1.0 Ω Refillable Pod (sold separately)
  - CALIBURN & IRONFIST L 1.2 Ω Refillable Pod
- Battery Capacity: 690 mAh

## **The Packaging Includes**

- 1 × CALIBURN & IRONFIST L Device
- 1 × CALIBURN & IRONFIST L 0.8 Ω Refillable Pod (Pre-installed)
- 1 × CALIBURN & IRONFIST L 1.2 Ω Refillable Pod (Spare)
- 1 × User Manual
- 1 × Type-C Charging Cable

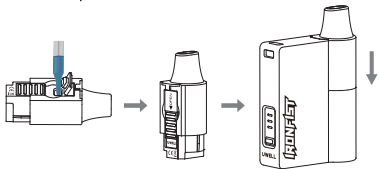
## **Features**

1. Simple and sleek appearance on a compact body, with a comfortable grip.
2. Adjustable output power for an adaptive vaping experience.
3. Equipped with an e-liquid container light (Hold the power adjustment button to turn off the light).
4. Adjustable airflow meets users' vaping requirements.
5. Compatible with CALIBURN G series coils.
6. Stable, safe, and reliable performance based on a built-in safety mechanism.
7. Upgraded UWELL Pro-FOCS technology restores the flavor excellently.
8. 2A fast charging.

# Instructions

## 1. Pod filling

- Pull down and hold the lock slider, open the filler plug and fill e-liquid through the filling port.
- Put the filler plug back when the filling is done, then release the lock slider to secure it.
- Insert the pod into the device.



## Attention

- Check the lock slider before filling the pod.
- Put the plug back as soon as the filling is done and make sure it is properly installed to prevent e-liquid leakage.
- After the first e-liquid filling, please let it sit for 10 minutes to avoid coil burning.
- Please refill the e-liquid when the e-liquid reaches the MIN mark.

## 2. Turn on/off

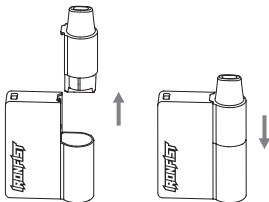
Press the power adjustment button 5 times in 2 seconds to turn on/off the device, the LED indicator will flash 3 times in green.

## 3. Vaping

Draw to vape. The LED indicator and the light (which can be closed in need) turn on during vaping.

## 4. Pod replacement

- Take the used pod out from the device, and insert a new one.
- Let the pod sit for 10 minutes after its' first e-liquid filling to avoid coil burning.



## **5. Turn on/off the light**

Hold the power adjustment button for over a second to turn on/off the light, and the light will flash 3 times when turning on/off the device.

## **6. Battery level indication**

During vaping, three green indicators represent the battery level is over 60%, two blue indicators represent the battery level is 30%-60%, and a red indicator represents the battery level is under 30%. The indicator flashes 10 times to signal the battery level is too low, and the device will stop output.

## **7. Output power adjustment**

Press the power adjustment button, and the indicators will light up in white to represent the current voltage, press the button again to adjust the output power level.  
A white indicator for the effective voltage of 3.2 V;  
2 white indicators for the effective voltage of 3.4 V;  
3 white indicators for the effective voltage of 3.6 V.

## **8. Short-circuit protection**

The indicator will flash 3 times in red and the device will stop output when a short-circuit occurs.

## **9. Low-voltage protection**

The indicator will flash 10 times in red and the device will stop output when the battery level is too low to work.

## **10. Overtime protection**

The indicator flashes 5 times in green to represent an over 8-second vaping, and the device will stop output.

## **11. Open circuit indication**

If the pod is not connected or poorly connected, the indicator will flash 3 times in blue and the device will have no output when vaping.

## **12. Charging**

The indicator lights flash when connecting the Type-C cable:

One LED indicator flashes in red for the low battery power;

Two LED indicators flash in blue for the medium battery power;

Three LED indicators flash in green for sufficient battery power;

When the device is fully charged, 3 green indicators will stay on.



## Attention

1. Please charge with certified high-quality adaptor from a reputable company and a Type-C cable with the charging current of 5V/2A.
2. The device and adaptor may warm up when charging, keep away from flammable and explosive goods.
3. Please use a dry and soft cloth to clean the device. Keep away from water or any liquids.
4. Please remove the pod cartridge and store it separately when you are on a plane to avoid leakage due to pressure changes.
5. Please do not put the device in your pocket with other hard objects to avoid damages.
6. Please turn off the device when it is not in use.
7. Please charge the device at least once a month.
8. Don't disassemble the device.
9. Avoid high temperature, low temperature and humidity during use or storage to avoid damage to the equipment.
10. The product parameters or pictures in this manual are for illustration purpose only, please refer to the actual product.

## **Safety Instruction**

Please read the following safety instructions carefully before using the product.

1. This product is only available to people who have reached the legal age of smoking. It is strictly forbidden for young children, pregnant women and women during breastfeeding or for patients with heart disease, high blood pressure, diabetes, depression and asthma.
2. Please put the product out of reach of children and pets to avoid injury.
3. When using this product, please keep away from inflammable and explosive materials to avoid injury.
4. The company does not assume any responsibility for any equipment damage or personal injury caused by user misuse.

## **Warranty Details**

Please keep the anti-counterfeit code and proof of purchase after purchasing the product. The warranty period is 180 days from the date of purchase. Our company provides warranty service (Device and atomizer only, exclude coil head and pod cartridge). Please note that any of the following conditions are not covered by the warranty:

1. Exceeding the warranty period.
2. Damage caused by the use, maintenance, and storage that is not in accordance with the requirements as instructed.
3. Damage caused by unauthorized repair.
4. Damage caused by the usage of non-UWELL components.
5. Damage caused by force majeure.

## **Verification**

1. Visit the UWELL official website [www.myuwell.com](http://www.myuwell.com) through a smartphone or PC.
2. Please enter the 16 digits authentic code, and the result will be displayed in a few seconds.
3. Please feel free to contact UWELL via e-mail, phone or website for more help.

## **Customer Service**

We pride ourselves on manufacturing quality products and providing excellent customer service. For any issues, please contact us at [service@myuwell.com](mailto:service@myuwell.com).

\* UWELL reserves the right of final interpretation in the user manual.

\* It is hereby stated that the markable area on the product is not enough to mark the CE and WEEE as the standard dimensions.

# UWELL

[www.myuwell.com](http://www.myuwell.com)



Manufactured by SHENZHEN UWELL TECHNOLOGY CO., LTD.

©2023 By SHENZHEN UWELL TECHNOLOGY CO., LTD., All Rights Reserved.  
Designed by UWELL Made in China



Uwelltech



Uwelltech



Uwelltech



Uwelltech



Uwell